



**BIG FOOT  
SYSTEMS**

# Swan Necks

No rust. No leaks. These high quality bespoke Swan Necks are ideal for one of the most sensitive areas of a flat roof... where you have to put pipes through

- Large flange around the foot of the Swan Neck allows a full seal with the roof membrane
- 2mm aluminium plate is lightweight and won't go rusty
- Full hood protects against rain ingress
  - Rounded outlet to protect pipes, insulation and cables
- Five designs available off-the-shelf
  - 15 year guarantee



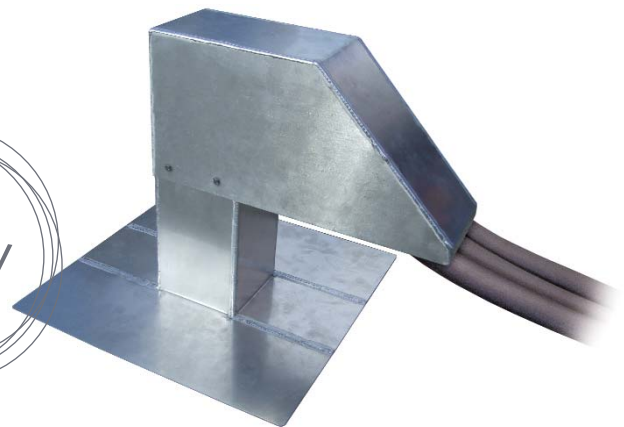
Assembling B9152

## Dimensional Data

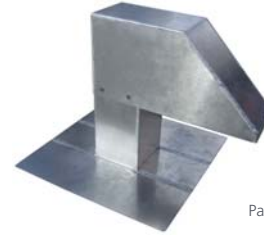
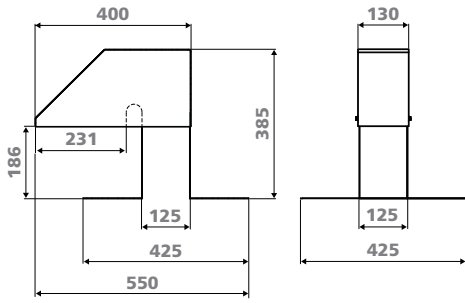
| Swan Neck                      | Length at base (mm) | Width at base (mm) | Height (mm) | Weight (Kg) | Part No. |
|--------------------------------|---------------------|--------------------|-------------|-------------|----------|
| <b>125 x 125mm (1 outlet)</b>  | 425mm               | 425mm              | 385mm       | 2.7kg       | B9148    |
| <b>200 x 200mm (1 outlet)</b>  | 500mm               | 500mm              | 385mm       | 3.7kg       | B9149    |
| <b>125 x 250mm (1 outlet)</b>  | 425mm               | 550mm              | 385mm       | 3.6kg       | B9150    |
| <b>125 x 500mm (1 outlet)</b>  | 425mm               | 800mm              | 385mm       | 5.6kg       | B9151    |
| <b>125 x 250mm (2 outlets)</b> | 425mm               | 550mm              | 385mm       | 4.3kg       | B9152    |

The five Swan Necks shown are our stock sizes.

**If you have a requirement for a different size, please contact us.**



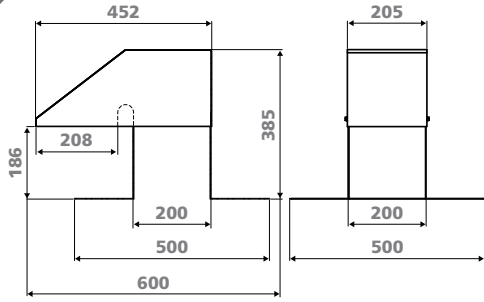
**WEIGHT: 2.7KG**



Part no. B9148

**SWAN NECK 125 x 125mm (1 outlet)**

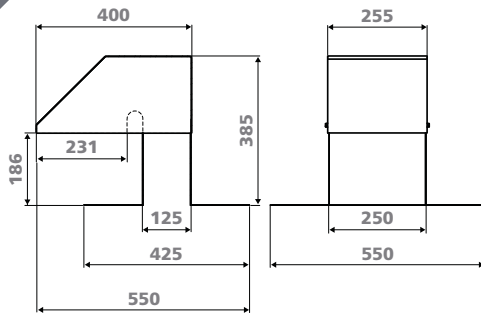
**WEIGHT: 3.7KG**



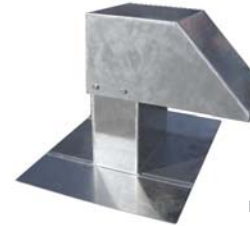
Part no. B9149

**SWAN NECK 200 x 200mm (1 outlet)**

**WEIGHT: 3.6KG**



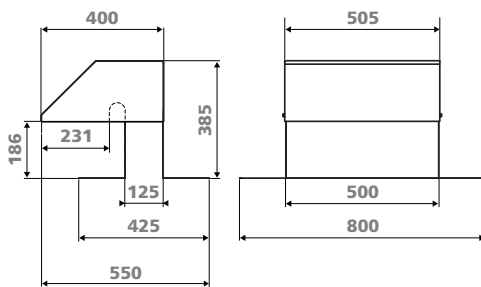
**SUITABLE FOR CABLE TRAYS**



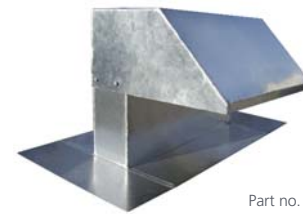
Part no. B9150

**SWAN NECK 125 x 250mm (1 outlet)**

**WEIGHT: 5.6KG**



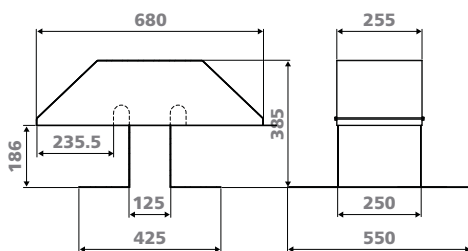
**SUITABLE FOR CABLE TRAYS**



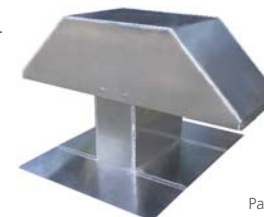
Part no. B9151

**SWAN NECK 125 x 500mm (1 outlet)**

**WEIGHT: 4.3KG**



**DOUBLE OUTLET**



Part no. B9152

**SWAN NECK 125 x 250mm (2 outlets)**